

## ProPEX® Ball Valve

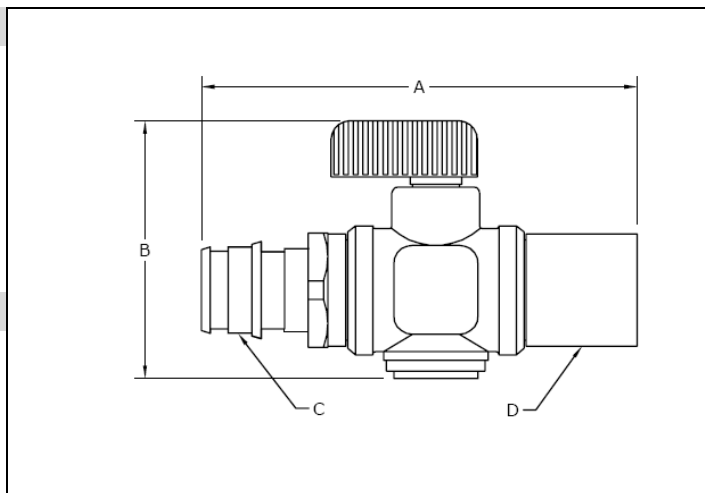
Submittal Information  
Revision C: Jan. 6, 2014

### Project Information

Job Name:	
Location:	Part No. Ordered:
Engineer:	Date Submitted:
Contractor:	Submitted By:
Manufacturer's Representative:	Approved By:

### Technical Data

Material:	CA 360 Brass
Maximum Working Temperature:	250°F (121°C)
Maximum Working Pressure:	250 psi (17 bar)



### Product Information and Application Use

The Uponor ProPEX® Ball Valve products include 3/4" copper adapters and feature in-line isolation valves.<sup>1</sup>

✓ Description	Part Number	A	B	C	D	Weight
ProPEX Ball Valve, 5/8" PEX x 3/4" Copper Adapter	Q5806375	3.19"	1.81"	5/8"	3/4" Copper	0.50 lbs.
ProPEX Ball Valve, 3/4" PEX x 3/4" Copper Adapter	Q5807575	3.43"	1.67"	3/4"	3/4" Copper	0.50 lbs.

### Installation

Install valve according to local building code. Do not dismantle. If soldering, aim flame away from fitting. For more information, refer to the Uponor Radiant Floor Installation Handbook.

### Standards

ASME A112.18.1/CSA B125.1

### Codes

IMC, UMC, NBC

### Listings

ANSI/NSF 14

### Related Applications

Radiant Heating and Cooling Systems  
Snow and Ice Melting Systems  
Permafrost Protection Systems  
Turf Conditioning Systems

### Contact Information

Uponor, Inc.  
5925 148<sup>th</sup> Street West  
Apple Valley, MN 55124 USA  
Phone: 800.321.4739  
Fax: 952.891.2008  
www.uponorpro.com

Uponor Ltd.  
2000 Argentia Rd., Plaza 1, Ste. 200  
Mississauga, ON L5N 1W1 CANADA  
Phone: 888.994.7726  
Fax: 800.638.9517  
www.uponorpro.com

<sup>1</sup>ProPEX® is a registered trademark of Uponor, Inc. ProPEX™ is a trademark of Uponor Ltd.