

ProPEX® Engineered Polymer (EP) Tee

Submittal Information
Revision E: Dec. 9, 2014

Project Information

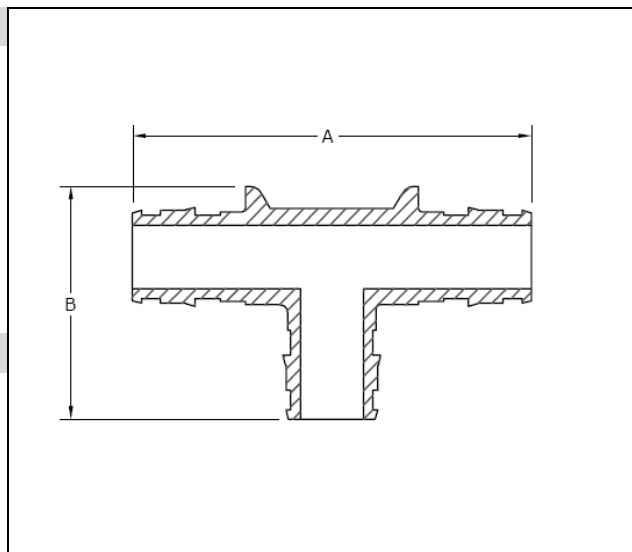
Job Name:	
Location:	Part No. Ordered:
Engineer:	Date Submitted:
Contractor:	Submitted By:
Manufacturer's Representative:	Approved By:

Technical Data

Material: UDEL® Polysulfone, 20% Glass-reinforced (½" to 1")
Acudel® Modified Polyphenylsulfone (1¼" to 1½")
Radel® Polyphenylsulfone (2")

Maximum Temperature (no pressure): 320°F (160°C)

Maximum Working Temperature/Pressure: 210°F (99°C) at 150 psi (1,034 kPa)



Product Information and Application Use

The ProPEX® Engineered Polymer (EP) Tee makes diverting connections for Uponor crosslinked polyethylene (PEX-a) tubing for use in hot and cold domestic potable water systems, residential fire sprinkler systems and hydronic radiant heating and cooling systems. Each end of the tee is manufactured with an Uponor ProPEX fitting for connections to Uponor AquaPEX® or Wirsbo hePEX™ tubing.¹

Note: Branch size is listed last in the part descriptions.

✓ Description	Part Number	A	B	Weight
ProPEX EP Tee, ½" PEX x ½" PEX x ½" PEX	Q4755050	2.50"	1.53"	0.02 lbs.
ProPEX EP Tee, ¾" PEX x ¾" PEX x ¾" PEX	Q4757575	3.30"	1.94"	0.05 lbs.
ProPEX EP Tee, 1" PEX x 1" PEX x 1" PEX	Q4751010	4.10"	2.47"	0.07 lbs.
ProPEX EP Tee, 1¼" PEX x 1¼" PEX x 1¼" PEX	Q4751313	4.80"	3.22"	0.15 lbs.
ProPEX EP Tee, 1½" PEX x 1½" PEX x 1½" PEX	Q4751515	5.80"	3.82"	0.25 lbs.
ProPEX EP Tee, 2" PEX x 2" PEX x 2" PEX	Q4752000	7.45"	4.79"	0.38 lbs.

Installation

Use the appropriate ProPEX Ring for PEX-a tubing. Refer to the Uponor Professional Plumbing Installation Guide, AquaSAFE™ Residential Fire Sprinkler Installation Guide or Uponor Radiant Installation Handbook for additional information.

Standards

CAN/CSA B137.5; ASTM F877; ASTM F1960

Codes

IPC; UPC; NSPC; NPC of Canada

Listings

IAPMO 3558; ANSI/NSF 14- and 61-certified; HUD MR 1269; ICC ESR 1099; UL 1821; ULC/ORD-C199P; cQAIus P321

Related Applications

PEX-a Plumbing Systems
Hydronic Radiant Heating and Cooling Systems
Snow Melting Systems
Turf Conditioning Systems
Permafrost Prevention Systems
AquaSAFE Fire Safety Systems

Contact Information

Uponor, Inc.
5925 148th Street West
Apple Valley, MN 55124 USA
Phone: 800.321.4739
Fax: 952.891.2008
www.uponorpro.com

Uponor Ltd.
2000 Argenta Road, Plaza 1, Suite 200
Mississauga, ON L5N 1W1 CANADA
Phone: 888.994.7726
Fax: 800.638.9517
www.uponorpro.com

¹ProPEX® is a registered trademark of Uponor, Inc. ProPEX™ is a trademark of Uponor Ltd.