

Ecoflex® Potable HDPE

Submittal Information

Revision B: Nov. 12, 2008

Project Information

Job Name:

Location:

Part No. Ordered:

Engineer:

Date Submitted:

Contractor:

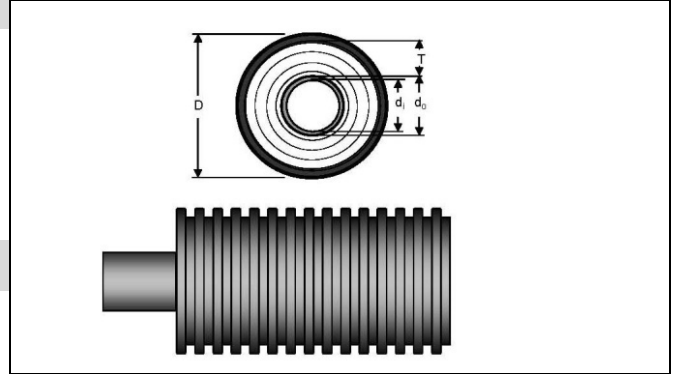
Submitted By:

Manufacturer's Representative:

Approved By:

Technical Data

Service Pipe:	High Density Polyethylene (HDPE); SDR-11; Nominal Metric Size
Insulation:	Multi-layered Closed Cell Cross-linked Polyethylene Foam Thermal Conductivity of 0.28 BTU in./sq. ft./hour/°F Vapor Permeability of 0.1 g/100 sq. in/day
Jacket:	Corrugated Seamless HDPE; UV-protected
Operating Condition Limits: (Hydrostatic Ratings)	-30°F to 73°F at 160 psi / -30°F to 100°F at 125 psi / -30°F to 120°F at 101 psi / -30°F to 140°F at 80 psi /



Product Information and Application Use

Ecoflex® Potable HDPE features high-density polyethylene (HDPE) service pipe in sizes from 25mm through 110mm, and is the economical solution for pre-insulated distribution for chilled water, cooling and low-temperature heating applications.

✓	Description	Part #	D _i	D _o	Volume (gal/ft)	Insulation Value	Min Bend	Weight	Coil Size (OD x Width)
	25mm Potable HDPE w/ 2.7" Jacket, 328' Coil	500042	0.803"	0.984"	.0263	R-2.11	8"	0.35 lb/ft	47"x26"
	32mm Potable HDPE w/ 2.7" Jacket, 328' Coil	500043	1.031"	1.260"	.0434	R-1.68	10"	0.42 lb/ft	47"x26"
	40mm Potable HDPE w/ 5.5" Jacket, 328' Coil	500044	1.283"	1.575"	.0672	R-5.29	12"	1.00 lb/ft	79"x43"
	50mm Potable HDPE w/ 5.5" Jacket, 328' Coil	500045	1.606"	1.969"	.1053	R-4.46	16"	1.12 lb/ft	79"x43"
	63mm Potable HDPE w/ 5.5" Jacket, 328' Coil	500046	2.024"	2.480"	.1671	R-3.64	20"	1.32 lb/ft	79"x43"
	75mm Potable HDPE w/ 6.9" Jacket, 328' Coil	500047	2.417"	2.953"	.2385	R-4.89	24"	1.82 lb/ft	87"x51"
	90mm Potable HDPE w/ 6.9" Jacket, 328' Coil	500048	2.896"	3.543"	.3427	R-3.89	28"	2.11 lb/ft	87"x51"
	110mm Potable HDPE w/ 7.9" Jacket, 328' Coil	500049	3.543"	4.331"	.5124	R-4.89	35"	3.51 lb/ft	94"x59"

Installation

Refer to the Ecoflex Design Installation Manual.

Standards

N/A

Codes

N/A

Listings

N/A

Related Applications

Radiant Heating and Cooling Systems
Snow and Ice Melting Systems
Permafrost Protection Systems
Turf Conditioning Systems

Contact Information

Uponor, Inc.
5925 148th Street West
Apple Valley, MN 55124 USA
Phone: (800) 321-4739
Fax: (952) 891-2008
www.uponor-usa.com

Uponor Ltd.
2000 Argentia Rd., Plaza 1, Ste. 200
Mississauga, ON L5N 1W1 CANADA
Phone: (888) 994-7726
Fax: (800) 638-9517
www.uponor.ca