

Male Threaded Adapter

Submittal Information

Revision B: Nov. 12, 2008

Project Information

Job Name:

Location:

Part No. Ordered:

Engineer:

Date Submitted:

Contractor:

Submitted By:

Manufacturer's Representative:

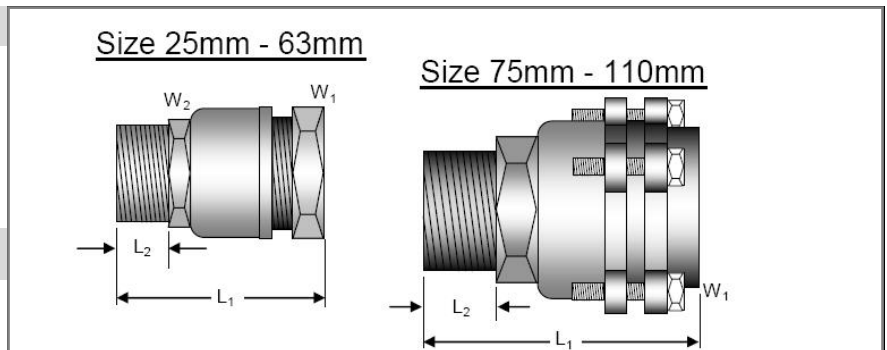
Approved By:

Technical Data

Body:	Nickel Plated Brass
Coupling Nut:	Nickel Plated Brass
Thrust Washer:	Brass
Cutting Ring:	Brass
O-Ring:	EPDM Rubber

Product Information and Application Use

Use these Ecoflex® Male Threaded Adapter Fittings with either PEX or HDPE service pipe. The nickel-plated brass Male Threaded Adapters transition the piping to male NPT thread.



✓	Part#	Nominal mm	Male NPT OD Pipe Dimensions		ID inch	Pressure Rating psi	L1 L2 Dimensions inch inch		Weight lb/pc	W1 W2 mm mm	Wrench Size mm	Insertion Depth inch	Torque ft-lb
	505850	25	¾"	0.98	0.80	90	2.13	0.63	0.44	39	30	1¾"	52
	505851	32	1"	1.26	1.03	90	2.44	0.75	0.66	48	37	1½"	70
	505852	40	1¼"	1.57	1.28	90	2.83	0.79	1.10	58	45	1⅞"	96
	505853	50	1½"	1.97	1.61	90	3.03	0.83	1.32	69	56	2"	133
	505854	63	2"	2.48	2.02	90	3.46	1.02	1.98	82	69	2¼"	184
	505855	75	2½"	2.95	2.42	90	4.09	1.14	1.98	17	N/A	3"	37
	505856	90	3"	3.54	2.90	90	4.53	1.26	3.97	17	N/A	3¼"	37
	505857	110	4"	4.33	3.54	90	5.83	1.61	7.28	17	N/A	4¼"	37

Installation

Refer to the Ecoflex Design Installation Manual for more information.

Standards

N/A

Codes

N/A

Listings

N/A

Related Applications

Radiant Heating and Cooling Systems
Snow and Ice Melting Systems
Permafrost Protection Systems
Turf Conditioning Systems

Contact Information

Uponor, Inc.
5925 148th Street West
Apple Valley, MN 55124 USA
Phone: (800) 321-4739
Fax: (952) 891-2008
www.uponor-usa.com

Uponor Ltd.
2000 Argentia Rd., Plaza 1, Ste. 200
Mississauga, ON L5N 1W1 CANADA
Phone: (888) 994-7726
Fax: (800) 638-9517
www.uponor.ca