

## EP Valved Manifold End Cap

Submittal Information  
Revision B: Feb. 3, 2016

### Project Information

Job Name:

Location:

Part No. Ordered:

Engineer:

Date Submitted:

Contractor:

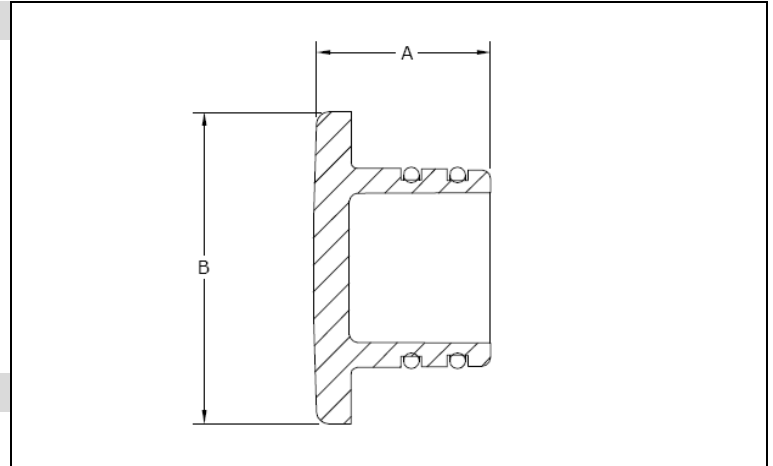
Submitted By:

Manufacturer's Representative:

Approved By:

### Technical Data

Material: Polyphenylsulfone



### Product Information and Application Use

The 1½" EP Valved Manifold End Cap seals the unused inlet on an EP Valved Manifold.

✓ Description	Part Number	A	B	Weight
EP Valved Manifold End Cap	Q2121250	1.17"	2.04"	0.60 lbs.

### Installation

Do not use thread sealant on connections. Carriers present in these compounds can crack the plastic port connections, resulting in leaks and water damage. Any bend within 6 inches of the ProPEX® connection to the manifold requires the use of a Tube Talon or Bend Support.<sup>1</sup> Refer to the Uponor Professional Plumbing Installation Guide for further instructions.

### Standards

CAN/CSA B137.5; ASTM F877

### Codes

NPC of Canada

### Listings

ANSI/NSF 14- and 61-certified

### Related Applications

PEX-a Plumbing Systems

### Contact Information

Uponor, Inc.  
5925 148<sup>th</sup> Street West  
Apple Valley, MN 55124 USA  
Phone: (800) 321-4739  
Fax: (952) 891-2008  
www.uponorpro.com

Uponor Ltd.  
2000 Argentia Road, Plaza 1, Suite 200  
Mississauga, ON L5N 1W1 CANADA  
Phone: (888) 994-7726  
Fax: (800) 638-9517  
www.uponorpro.com

<sup>1</sup>ProPEX® is a registered trademark of Uponor, Inc. ProPEX™ is a trademark of Uponor Ltd.