

EP Valved Manifold Clip

Submittal Information
Revision B: Feb. 3, 2016

Project Information

Job Name:

Location:

Part No. Ordered:

Engineer:

Date Submitted:

Contractor:

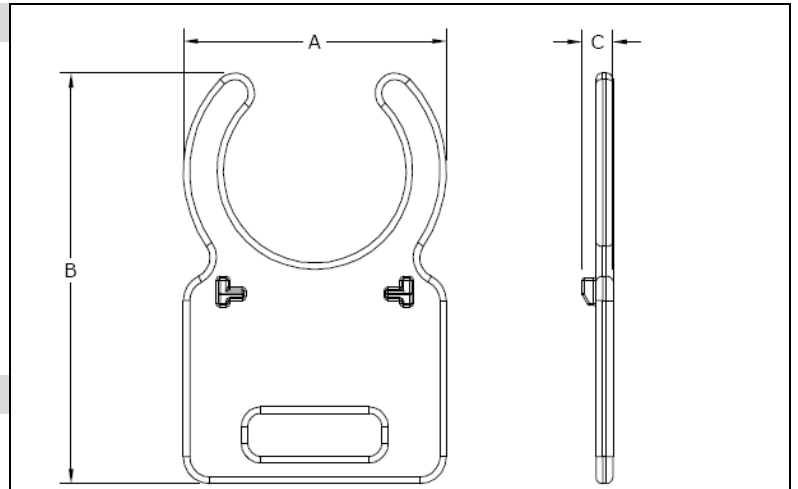
Submitted By:

Manufacturer's Representative:

Approved By:

Technical Data

Material: Polypropylene-red; Polypropylene-blue



Product Information and Application Use

EP Valved Manifold Clips retain valve cylinders in the EP Valved Manifold body. Red indicates hot-water line. Blue indicates cold-water line.

✓ Description

EP Valved Manifold Red Valve Clip
EP Valved Manifold Blue Valve Clip

Part Number	A	B	C	Weight
Q2120001	1.23"	1.90"	0.14"	0.01 lbs.
Q2120002	1.23"	1.90"	0.14"	0.01 lbs.

Installation

Do not use thread sealant on connections. Carriers present in these compounds can crack the plastic port connections, resulting in leaks and water damage. Any bend within six inches of the ProPEX® connection to the manifold requires the use of a Tube Talon or Bend Support.¹ Refer to the Uponor Professional Plumbing Installation Guide for further instructions.

Standards

N/A

Codes

N/A

Listings

N/A

Related Applications

PEX-a Plumbing Systems

Contact Information

Uponor, Inc.
5925 148th Street West
Apple Valley, MN 55124 USA
Phone: (800) 321-4739
Fax: (952) 891-2008
www.uponorpro.com

Uponor Ltd.
2000 Argentia Road, Plaza 1, Suite 200
Mississauga, ON L5N 1W1 CANADA
Phone: (888) 994-7726
Fax: (800) 638-9517
www.uponorpro.com

¹ProPEX® is a registered trademark of Uponor, Inc. ProPEX™ is a trademark of Uponor Ltd.