

ProPEX® Brass to Polybutylene (PB) Coupling

Submittal Information

Revision B: June 7, 2010

Project Information

Job Name:

Location:

Part No. Ordered:

Engineer:

Date Submitted:

Contractor:

Submitted By:

Manufacturer's Representative:

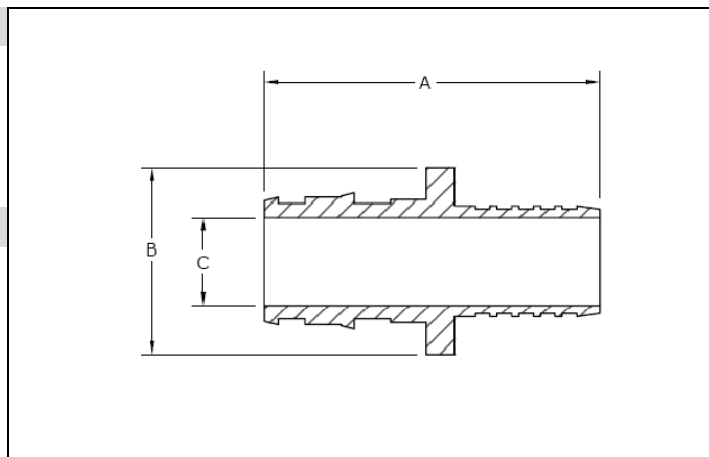
Approved By:

Technical Data

Material: 360 Brass

Product Information and Application Use

The ProPEX® Brass to Polybutylene (PB) Coupling transitions polybutylene tubing to Uponor AquaPEX® tubing.¹ This product does not include the crimp ring for the PB side of the coupling. The couplings are available for use in hot and cold domestic potable water systems.



✓ Description	Part Number	A	B	C	Weight
ProPEX Brass to PB Coupling, 1/2" PEX x 1/2" PB	Q4585050	1.47"	0.75"	0.398"	0.20 lbs.
ProPEX Brass to PB Coupling, 3/4" PEX x 3/4" PB	Q4587575	1.76"	1.12"	0.614"	0.40 lbs.

Installation

Use the appropriate Uponor ProPEX Ring for connecting to PEX tubing. Secure the PB tubing to the fitting with a crimp ring. For more information, refer to the Uponor Professional Plumbing Installation Guide.

Standards

CAN/CSA B137.5; ASTM F877; ASTM F1960

Codes

IPC; UPC; NSPC; NPC of Canada

Listings

IAMPO 3558; ICC ESR 1099; ANSI/NSF 14- and 61-certified

Related Applications

PEX-a Plumbing Systems

Contact Information

Uponor, Inc.
5925 148th Street West
Apple Valley, MN 55124 USA
Phone: (800) 321-4739
Fax: (952) 891-2008
www.uponor-usa.com

Uponor Ltd.
2000 Argentia Rd., Plaza 1, Ste. 200
Mississauga, ON L5N 1W1 CANADA
Phone: (888) 994-7726
Fax: (800) 638-9517
www.uponor.ca

¹ProPEX® is a registered trademark of Uponor, Inc. ProPEX™ is a trademark of Uponor Ltd.