

# ProPEX<sup>®</sup> Engineered Plastic (EP) Plug

Submittal Information

Revision B: June 7, 2010

## Project Information

Job Name:

Location:

Part No. Ordered:

Engineer:

Date Submitted:

Contractor:

Submitted By:

Manufacturer's Representative:

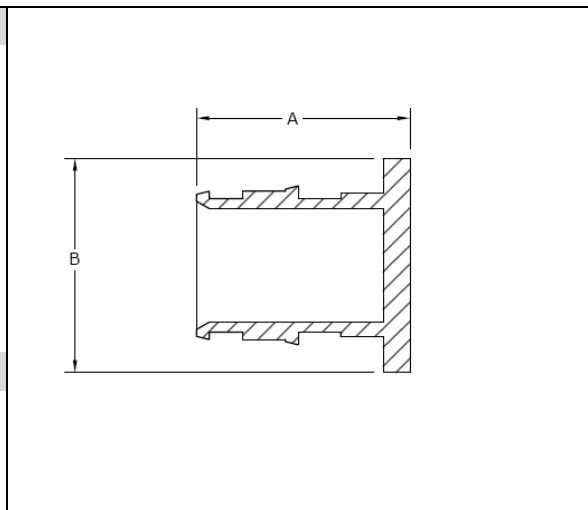
Approved By:

## Technical Data

Material: UDEL<sup>®</sup> Polysulfone, 20% Glass-reinforced (1/2" - 1");  
Acudel<sup>®</sup> modified polyphenylsulfone (1 1/4" - 2")

Maximum Temperature (no pressure): 320°F (160°C)

Maximum Working Temperature/Pressure: 210°F at 150 psi (99°C at 10.3 bar)



## Product Information and Application Use

ProPEX<sup>®</sup> Engineered Plastic (EP) Plugs are available for use in hot and cold domestic potable water systems.<sup>1</sup> Also approved for use in hydronic heating systems. ProPEX EP Plugs terminate Uponor PEX tubing ends. A ProPEX tool is required. ProPEX Rings sold separately.

✓ Description	Part Number	A	B	Weight
ProPEX EP Plug for 1/2" PEX	Q4350500	0.85"	0.836"	0.006 lbs.
ProPEX EP Plug for 3/4" PEX	Q4350750	0.85"	0.836"	0.008 lbs.
ProPEX EP Plug for 1" PEX	Q4351000	1.08"	1.187"	0.020 lbs.
ProPEX EP Plug for 1 1/4" PEX	Q4351250	1.32"	1.350"	0.040 lbs.
ProPEX EP Plug for 1 1/2" PEX	Q4351500	2.00"	2.125"	0.075 lbs.
ProPEX EP Plug for 2" PEX	Q4352000	2.40"	2.625"	0.156 lbs.

## Installation

Use the appropriate ProPEX Ring for connecting the ProPEX EP Plug to PEX tubing. Refer to the Uponor Professional Plumbing Installation Guide or Uponor Radiant Floor Heating Installation Handbook for additional information.

## Standards

CAN/CSA B137.5; ASTM F877; ASTM F1960

## Codes

IPC; UPC; NSPC; NPC of Canada

## Listings

IAPMO 3558; ANSI/NSF 14- and 61-certified; HUD MR 1269; ICC ESR 1099

## Related Applications

PEX-a Plumbing Systems  
Radiant Heating and Cooling Systems

## Contact Information

Uponor, Inc.  
5925 148<sup>th</sup> Street West  
Apple Valley, MN 55124 USA  
Phone: (800) 321-4739  
Fax: (952) 891-2008  
www.uponor-usa.com

Uponor Ltd.  
2000 Argentia Rd., Plaza 1, Ste. 200  
Mississauga, ON L5N 1W1 CANADA  
Phone: (888) 994-7726  
Fax: (800) 638-9517  
www.uponor.ca

<sup>1</sup>ProPEX<sup>®</sup> is a registered trademark of Uponor, Inc. ProPEX<sup>™</sup> is a trademark of Uponor Ltd.