

Multi-layer Composite (MLC) Tubing Compression Fitting Assembly

Submittal Information

Revision B: July 22, 2010

Project Information

Job Name:

Location:

Part No. Ordered:

Engineer:

Date Submitted:

Contractor:

Submitted By:

Manufacturer's Representative:

Approved By:

Technical Data

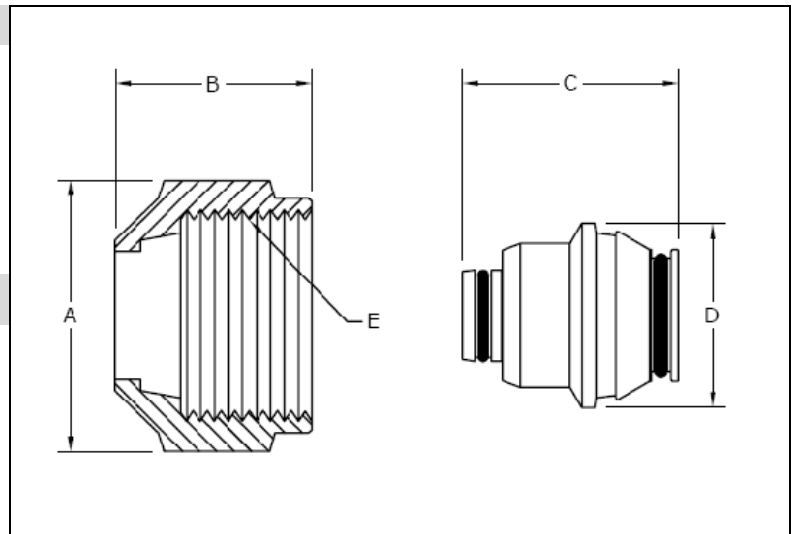
Fitting:	CA 360 Brass
O-ring:	Nitrile (Buna N)
Maximum Temperature (no pressure):	220°F (104°C)
Maximum Pressure:	125 psi (8.6 bar)

Product Information and Application Use

The Multi-layer Composite (MLC) Compression Fitting Assembly threads onto Uponor manifold loop outlets and transition fittings.

The R20 fittings thread directly onto the TruFLOW™ Jr. and TruFLOW Classic Manifolds.

The R25 fittings are used with the TruFLOW Sr. and 2" Copper Valved Manifolds.



✓ Description	Part Number	A	B	C	D	Weight
½" MLC Tubing Compression Fitting Assembly, R20 thread	D4120500	1.26"	1.01"	1.09"	0.93"	0.20 lbs.
⅝" MLC Tubing Compression Fitting Assembly, R20 thread	D4120625	1.34"	1.01"	1.09"	0.93"	0.20 lbs.
¾" MLC Tubing Compression Fitting Assembly, R25 thread	D4120750	1.77"	1.28"	1.37"	1.16"	0.60 lbs.

Installation

These fittings thread onto the corresponding Uponor manifold loop outlet or transition fitting. For additional information, refer to the Uponor Radiant Floor Heating Installation Handbook.

Standards

ASTM F877

Codes

R20: ISO 228-G ¾ B; R25: ISO 222-G 1 B

Listings

NSF-rfh

Related Applications

Radiant Heating and Cooling Systems
Snow and Ice Melting Systems
Permafrost Protection Systems
Turf Conditioning Systems

Contact Information

Uponor, Inc.
5925 148th Street West
Apple Valley, MN 55124 USA
Phone: (800) 321-4739
Fax: (952) 891-2008
www.uponor-usa.com

Uponor Ltd.
2000 Argentia Rd., Plaza 1, Ste. 200
Mississauga, ON L5N 1W1 CANADA
Phone: (888) 994-7726
Fax: (800) 638-9517
www.uponor.ca