

ProPEX[®] Compression Connector

Submittal Information
Revision A: Feb. 22, 2008

Project Information

Job Name:

Location:

Part No. Ordered:

Engineer:

Date Submitted:

Contractor:

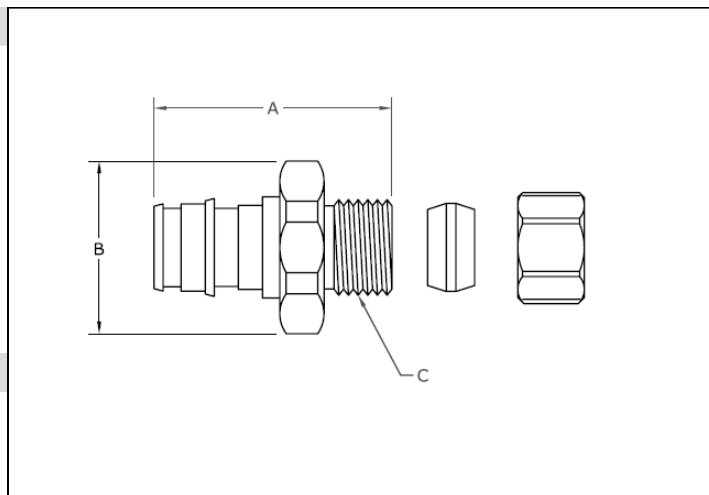
Submitted By:

Manufacturer's Representative:

Approved By:

Technical Data

Material: CA 360 Brass
Maximum Temperature: 250°F (121°C)
Maximum Working Pressure: 250 psi



Product Information and Application Use

The 1/2" ProPEX[®] Compression Connector is used in plumbing and radiant heating applications.¹ The QR14 connector converts 1/2" Wirsbo AQUAPEX[®] tubing to 3/8" compression style where no valves are required by code.

| ✓ Description | Part Number | A | B | C | Weight |
|--|-------------|-------|-------|-----------|-----------|
| Connector, QR14, 1/2" ProPEX x 3/8" Comp. (Straight Adapter) | Q4975038 | 1.30" | 0.80" | 3/8" MNPT | 0.09 lbs. |

Installation

Install valve according to local building code. Do not dismantle. Refer to the AQUAPEX Professional Plumbing Installation Handbook or the Uponor Radiant Installation Handbook.

Standards

CSA B137.5; ASTM F877; ASTM F1960; ASME A112.18.1

Codes

IPC; UPC; NSPC; NPC of Canada

Listings

IAPMO; NSF 61- and 9-certified

Related Applications

PEX-a Plumbing Systems
Radiant Heating and Cooling Systems

Contact Information

Uponor, Inc.
5925 148th Street West
Apple Valley, MN 55124 USA
Phone: (800) 321-4739
Fax: (952) 891-2008
www.uponor-usa.com

Uponor Ltd.
655 Park Street
Regina, SK S4N 5N1 CANADA
Phone: (888) 994-7726
Fax: (800) 638-9517
www.uponor.ca

¹ProPEX[®] is a registered trademark of Uponor, Inc. ProPEX[™] is a trademark of Uponor Ltd.