

ProPEX® Engineered Plastic (EP) Reducing Tee

Submittal Information

Revision B: Sept. 18, 2008

Project Information

Job Name:

Location:

Part No. Ordered:

Engineer:

Date Submitted:

Contractor:

Submitted By:

Manufacturer's Representative:

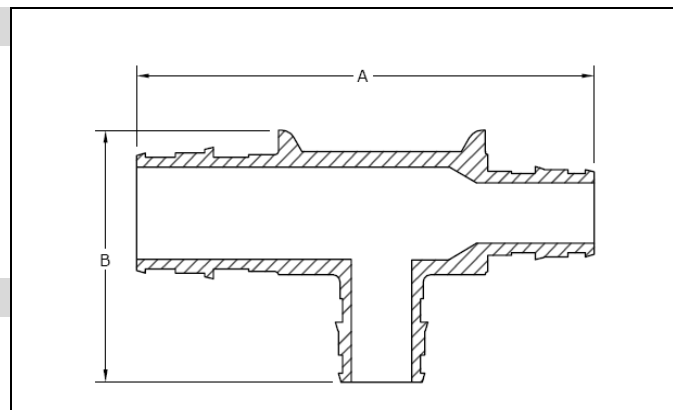
Approved By:

Technical Data

Material: UDEL® Polysulfone, 20% Glass-reinforced (½" to 1")
Acudel® Modified Polyphenylsulfone (1¼" to 1½")
Radel® Polyphenylsulfone (2")

Maximum Temperature
(no pressure): 320°F (160°C)

Maximum Working
Temperature/Pressure: 210°F (99°C) at 150 psi



Product Information and Application Use

ProPEX® Engineered Plastic (EP) Reducing Tees are available for use in hot and cold domestic potable water systems.¹ Each end features an Uponor ProPEX Fitting for connections to Uponor PEX tubing. The branch size is listed last in the part description.

✓ Description	Part Number	A	B	Weight
ProPEX EP Reducing Tee, ½" PEX x ½" PEX x ¾" PEX	Q4755575	2.86"	1.76"	0.05 lbs.
ProPEX EP Reducing Tee, ¾" PEX x ½" PEX x ½" PEX	Q4757555	3.10"	1.70"	0.04 lbs.
ProPEX EP Reducing Tee, ¾" PEX x ½" PEX x ¾" PEX	Q4757557	3.10"	1.94"	0.04 lbs.
ProPEX EP Reducing Tee, ¾" PEX x ¾" PEX x ½" PEX	Q4757550	3.30"	1.70"	0.04 lbs.
ProPEX EP Reducing Tee, ¾" PEX x ¾" PEX x 1" PEX	Q4757710	3.64"	2.32"	0.08 lbs.
ProPEX EP Reducing Tee, 1" PEX x ¾" PEX x ¾" PEX	Q4751775	3.90"	2.24"	0.08 lbs.
ProPEX EP Reducing Tee, 1" PEX x ¾" PEX x 1" PEX	Q4751751	3.90"	2.47"	0.08 lbs.
ProPEX EP Reducing Tee, 1" PEX x 1" PEX x ½" PEX	Q4751150	4.10"	2.00"	0.08 lbs.
ProPEX EP Reducing Tee, 1" PEX x 1" PEX x ¾" PEX	Q4751175	4.10"	2.24"	0.09 lbs.
ProPEX EP Reducing Tee, 1¼" PEX x 1" PEX x ¾" PEX	Q4751317	4.60"	2.73"	0.11 lbs.
ProPEX EP Reducing Tee, 1¼" PEX x 1" PEX x 1" PEX	Q4751311	4.60"	2.97"	0.12 lbs.
ProPEX EP Reducing Tee, 1¼" PEX x 1¼" PEX x ¾" PEX	Q4751337	4.80"	2.73"	0.13 lbs.
ProPEX EP Reducing Tee, 1¼" PEX x 1¼" PEX x 1" PEX	Q4751331	4.80"	2.97"	0.14 lbs.
ProPEX EP Reducing Tee, 1½" PEX x 1" PEX x ¾" PEX	Q4751517	5.25"	3.06"	0.17 lbs.
ProPEX EP Reducing Tee, 1½" PEX x 1" PEX x 1" PEX	Q4751511	5.25"	3.30"	0.18 lbs.
ProPEX EP Reducing Tee, 1½" PEX x 1½" PEX x ¾" PEX	Q4751557	5.80"	3.06"	0.20 lbs.
ProPEX EP Reducing Tee, 1½" PEX x 1½" PEX x 1" PEX	Q4751551	5.75"	3.30"	0.21 lbs.
ProPEX EP Reducing Tee, 1½" PEX x 1½" PEX x 1¼" PEX	Q4751553	5.80"	3.56"	0.22 lbs.
ProPEX EP Reducing Tee, 2" PEX x 1½" PEX x 1" PEX	Q4752051	6.51"	3.54"	0.24 lbs.
ProPEX EP Reducing Tee, 2" PEX x 2" PEX x 1" PEX	Q4752210	6.95"	3.54"	0.27 lbs.
ProPEX EP Reducing Tee, 2" PEX x 2" PEX x 1½" PEX	Q4752215	6.95"	4.10"	0.29 lbs.
ProPEX EP Reducing Tee, 2" PEX x 2" PEX x ¾" PEX	Q4752275	6.95"	3.25"	0.27 lbs.

Installation

Use the appropriate ProPEX Ring for the tubing. For more information, refer to the AQUAPEX® Professional Plumbing Installation Handbook or Uponor Radiant Installation Handbook.

Standards

CAN/CSA B137.5; ASTM F877; ASTM F1960

Codes

IPC; UPC; NSPC; NPC of Canada

Listings

ANSI/NSF 14- and 61-certified; ICC ESR 1099; IAPMO 3558

Related Applications

PEX-a Plumbing Systems
Radiant Heating and Cooling Systems

Contact Information

Uponor, Inc.
5925 148th Street West
Apple Valley, MN 55124 USA
Phone: (800) 321-4739
Fax: (952) 891-2008
www.uponor-usa.com

Uponor Ltd.
2000 Argentia Road, Plaza 1, Suite 200
Mississauga, ON L5N 1W1 CANADA
Phone: (888) 994-7726
Fax: (800) 638-9517
www.uponor.ca

¹ProPEX® is a registered trademark of Uponor, Inc. ProPEX™ is a trademark of Uponor Ltd.