

ProPEX® Washing Machine Outlet Box

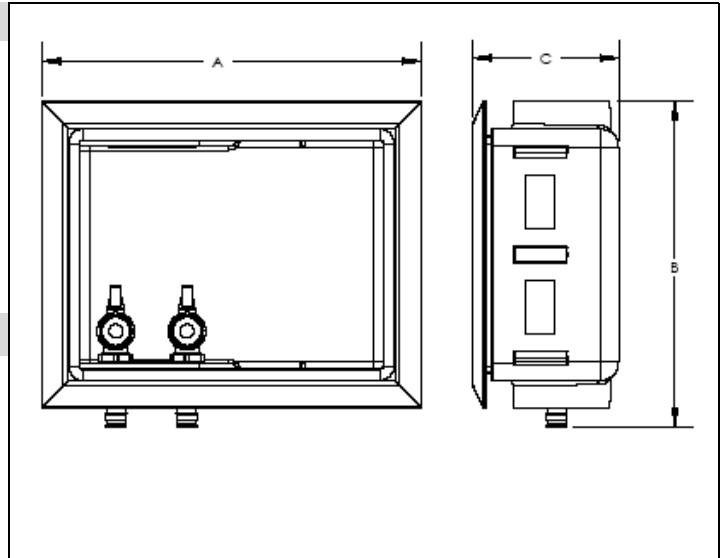
Submittal Information
Revision B: June 10, 2008

Project Information

Job Name:	
Location:	Part No. Ordered:
Engineer:	Date Submitted:
Contractor:	Submitted By:
Manufacturer's Representative:	Approved By:

Technical Data

Materials: Box: High-impact polystyrene
 Frame: High-impact polystyrene
 Support Brackets: High-impact polystyrene
 Valve: Brass



Product Information and Application Use

The ProPEX® Washing Machine Outlet Box comes with two ½" ProPEX hot and cold, color-coded valves.¹ The valves may be mounted from the top or bottom. The four support brackets allow for easy mounting between studs. The snap-on frame (included) accommodates up to 1" drywall.

✓	Description	Part Number	Length (A)	Height (B)	Depth (C)	Weight
[]	ProPEX Washing Machine	Q5930500	10.6"	9.0"	4.0"	1.95 lbs.

Installation

Mount in wall cavity at the desired location (e.g., behind washing machine) using the supplied mounting brackets or directly to studs. For more information, refer to the AQUAPEX® Professional Plumbing Installation Handbook.

Standards

ASME A112.18.1 / CSA B125-1 / ASTM F1960

Codes

IPC; UPC; NSPC; NPC of Canada

Listings

HUD MR 1269; ICC ESR 1099; ANSI/NSF 14- and 61-certified

Related Applications

PEX-a Plumbing Systems

Contact Information

Uponor, Inc.
 5925 148th Street West
 Apple Valley, MN 55124 USA
 Phone: (800) 321-4739
 Fax: (952) 891-2008
 www.uponor-usa.com

Uponor Ltd.
 2000 Argentia Rd., Plaza 1, Ste. 200
 Mississauga, ON L5N 1W1 CANADA
 Phone: (888) 994-7726
 Fax: (800) 638-9517
 www.uponor.ca

¹ProPEX® is a registered trademark of Uponor, Inc. ProPEX™ is a trademark of Uponor Ltd.