

ProPEX® Lead-free (LF) Brass Coupling

Submittal Information

Revision A: Jan. 28, 2010

Project Information

Job Name:

Location:

Part No. Ordered:

Engineer:

Date Submitted:

Contractor:

Submitted By:

Manufacturer's Representative:

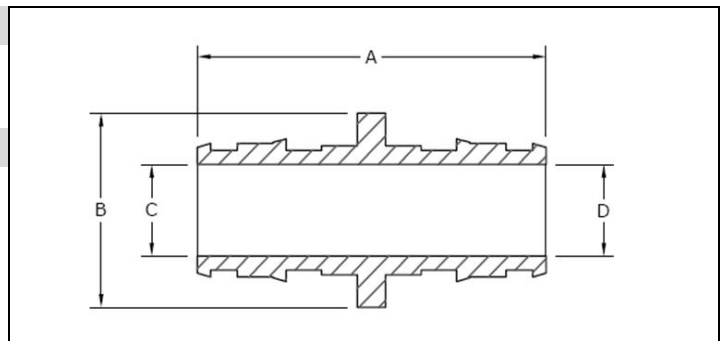
Approved By:

Technical Data

Material C69300 Brass

Product Information and Application Use

ProPEX® Lead-free Brass Couplings are available for use in hot and cold domestic potable water systems.¹ Also approved for use in any radiant heating system. The coupling features the Uponor ProPEX Fitting for connections to Wirsbo hePEX™ tubing or Uponor AquaPEX® tubing. Couplings are safe for direct burial in soil.



✓ Description	Part Number	A	B	C	D	Weight
ProPEX LF Brass Coupling, 3/8" PEX x 1/2" PEX	LF4543850	1.42"	0.740"	0.398"	0.280"	0.05 lb
ProPEX LF Brass Coupling, 1/2" PEX x 1/2" PEX*	LF4545050	1.54"	0.740"	0.398"	N/A	0.07 lb
ProPEX LF Brass Coupling, 3/4" PEX x 3/4" PEX*	LF4547575	2.02"	1.187"	0.595"	N/A	0.13 lb
ProPEX LF Brass Coupling, 3/4" PEX x 1" PEX*	LF4547510	2.25"	1.345"	0.795"	0.595"	0.16 lb
ProPEX LF Brass Coupling, 1" PEX x 1" PEX*	LF4541010	2.49"	1.345"	0.818"	N/A	0.20 lb

Installation

ProPEX Tool and ProPEX Rings (sold separately) are required for connecting the PEX tubing. Use the appropriately sized Uponor ProPEX Ring for tubing connections. For more information, refer to the AquaPEX Professional Plumbing Installation Guide, the AquaSAFE™ Residential Fire Sprinkler Installation Guide or the Radiant Floor Heating Installation Handbook.

Standards

CAN/CSA B137.5; ASTM F877; ASTM F1960

Codes

IPC; UPC; NSPC; NPC of Canada

Listings

IAMPO 3558; HUD MR 1269; ICC ESR 1099; NSF 14- and 61-certified; U.P. Code, Annex G; *UL 1821; *ULC/ORD C199P

Related Applications

PEX-a Plumbing Systems
 Uponor Residential Fire Safety Systems
 Radiant Heating and Cooling Systems
 Snow and Ice Melting Systems
 Permafrost Protection Systems
 Turf Conditioning Systems

Contact Information

Uponor, Inc.
 5925 148th Street West
 Apple Valley, MN 55124 USA
 Phone: (800) 321-4739
 Fax: (952) 891-2008
 www.uponor-usa.com

Uponor Ltd.
 2000 Argentinia Rd., Plaza 1, Ste. 200
 Mississauga, ON L5N 1W1 CANADA
 Phone: (888) 994-7726
 Fax: (800) 638-9517
 www.uponor.ca

¹ProPEX® is a registered trademark of Uponor, Inc. ProPEX™ is a trademark of Uponor Ltd.