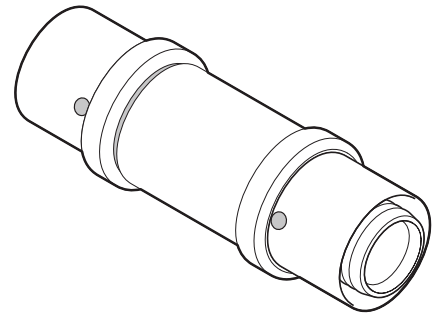


## Uponor S-Press sliding coupling



**1a** 14-25 mm

**1b** 25-63 mm

**2** 16-32 mm

**3**

**4**

**5**

**6**

**7**

**8**

**Uponor GmbH**

Industriestraße 56,  
D-97437 Hassfurt, Germany

1066455 05\_2021 INT  
Production: Uponor / ELO

Uponor reserves the right to make changes, without prior notification, to the specification of incorporated components in line with its policy of continuous improvement and development.

