

ProPEX® Escutcheon

Submittal Information
Revision B: Jan. 7, 2014

Project Information

Job Name:

Location:

Part No. Ordered:

Engineer:

Date Submitted:

Contractor:

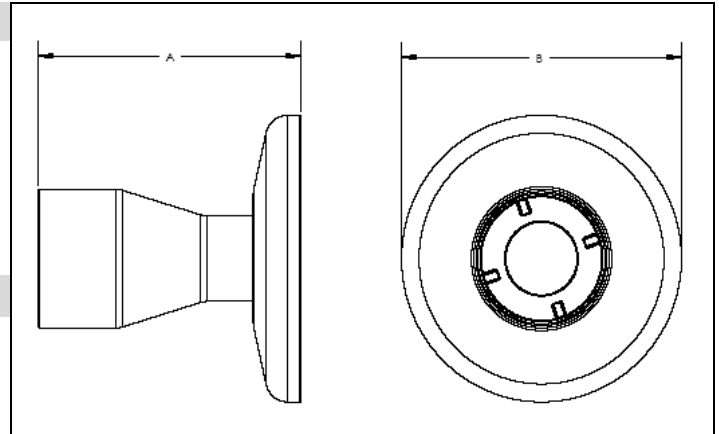
Submitted By:

Manufacturer's Representative:

Approved By:

Technical Data

Material: High-impact polystyrene or chrome-plated ABS



Product Information and Application Use

The ProPEX® Escutcheon features a flared sleeve and provides an attractive cover for 1/2" Uponor AquaPEX® crosslinked polyethylene (PEX-a) tubing and ProPEX connections as they exit the wall.¹ Escutcheons are available in white or chrome-plated.

✓	Description	Part Number	Length (A)	Width (B)	Weight
	ProPEX Escutcheon for 1/2" PEX, Chrome-plated	F5650500	2.40"	2.50"	0.025 lbs.
	ProPEX Escutcheon for 1/2" PEX, White	F5670500	2.40"	2.50"	0.023 lbs.

Installation

Slide the escutcheon over the exposed 1/2" Uponor AquaPEX tubing. Mark the proper tubing length. Cut the tubing. Slide the escutcheon back over the tubing and make the ProPEX connection.

Standards

N/A

Codes

N/A

Listings

N/A

Related Applications

PEX-a Plumbing Systems

Contact Information

Uponor, Inc.
5925 148th Street West
Apple Valley, MN 55124 USA
Phone: 800.321.4739
Fax: 952.891.2008
www.uponorpro.com

Uponor Ltd.
2000 Argentia Rd., Plaza 1, Ste. 200
Mississauga, ON L5N 1W1 CANADA
Phone: 888.994.7726
Fax: 800.638.9517
www.uponorpro.com

¹ProPEX® is a registered trademark of Uponor, Inc. ProPEX™ is a trademark of Uponor Ltd.