

ProPEX[®] Manifold Elbow Adapter

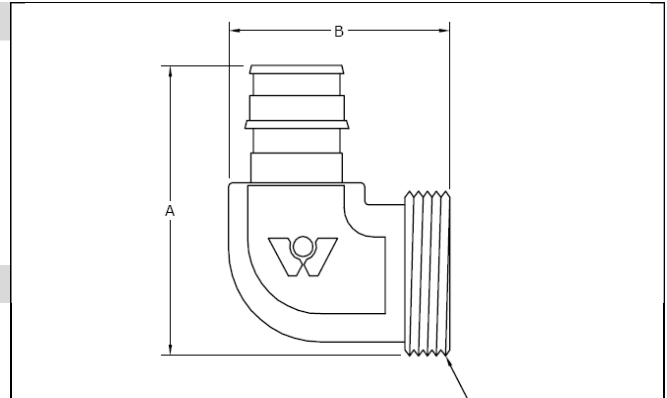
Submittal Information
Revision A: Feb. 19, 2008

Project Information

Job Name:	
Location:	Part No. Ordered:
Engineer:	Date Submitted:
Contractor:	Submitted By:
Manufacturer's Representative:	Approved By:

Technical Data

Material:	844 Brass
Maximum Temperature (no pressure):	220°F (104°C)
Maximum Pressure:	125 psi



Product Information and Application Use

The Uponor ProPEX[®] Manifold Elbow Adapter threads into the TruFLOW[™] Manifold to adapt to ProPEX connections in radiant heating applications.¹

✓ Description	Part Number	A	B	C	Weight
ProPEX Manifold Elbow Adapter, R32 x ¾" ProPEX	Q4153275	2.66"	1.91"	R32	0.60 lbs.
ProPEX Manifold Elbow Adapter, R32 x 1" ProPEX	Q4153210	2.58"	2.17"	R32	0.62 lbs.

Installation

R32 threads into the Uponor TruFLOW[™] Manifold. ProPEX end enables direct 90-degree contact to Wirsbo hePEX[™] plus tubing. For additional information, refer to the Uponor Radiant Installation Handbook.

Standards

ASTM F877; ASTM F1960

Codes

N/A

Listings

NSF-rfh; R32: ISO 228-G 1¼" B

Related Applications

Radiant Heating and Cooling Systems

Contact Information

Uponor, Inc.
5925 148th Street West
Apple Valley, MN 55124
USA
Phone: (800) 321-4739
Fax: (952) 891-2008
www.uponor-usa.com

Uponor Ltd.
655 Park Street
Regina, SK S4N 5N1 CANADA
Phone: (888) 994-7726
Fax: (800) 638-9517
www.uponor.ca

¹ProPEX[®] is a registered trademark of Uponor, Inc. ProPEX[™] is a trademark of Uponor Ltd.