

TruFLOW™ End Cap with Vent and Drain

Submittal Information

Revision A: June 3, 2009

Project Information

Job Name:

Location:

Part No. Ordered:

Engineer:

Date Submitted:

Contractor:

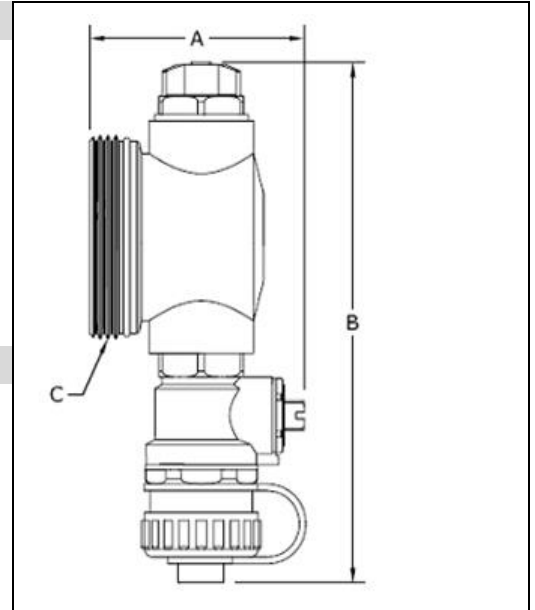
Submitted By:

Manufacturer's Representative:

Approved By:

Technical Data

Material:	UNS C3850 Brass
Maximum Working Pressure:	145 psi
Maximum Temperature/Flow:	220°F (104°C)/21.0 gpm
Connection:	1¼" BSP



Product Information and Application Use

TruFLOW™ End Cap with Vent and Drain has 1¼" male BSP thread to connect into the TruFLOW Classic Manifold Reducing Bushing supplied in the kit. This end cap comes standard with a manual purge vent on top and a garden hose threaded connection on the drain. Use Uponor Silicone Oil (A2620007) sold separately, on the male threads to ease installation.

✓ Description	Part Number	A	B	C	Weight
TruFLOW End Cap with Vent and Drain	A2621250	2.45"	4.97"	1¼" BSP	0.80 lbs.

Installation

The TruFLOW End Cap with Vent and Drain comes as an accessory already installed on the Uponor TruFLOW Classic Manifold. The Automatic Vent with Check Valve is purchased as a separate accessory and installs on the top of the existing TruFLOW Classic Manifold End Cap with Vent and Drain. Use Uponor Accessories: Replacement O-ring for 1¼" BSP Connections (A2620008); Silicone Oil (A2620007). Refer to the Uponor Radiant Installation Handbook for additional information.

Standards

ASTM F877

Codes

N/A

Listings

NSF-rfh

Related Applications

Radiant Heating and Cooling Systems
Permafrost Protection Systems
Snow and Ice Melting Systems
Turf Conditioning Systems

Contact Information

Uponor, Inc.
5925 148th Street West
Apple Valley, MN 55124 USA
Phone: (800) 321-4739
Fax: (952) 891-2008
www.uponor-usa.com

Uponor Ltd.
2000 Argentia Rd., Plaza 1, Ste. 200
Mississauga, ON L5N 1W1 CANADA
Phone: (888) 994-7726
Fax: (800) 638-9517
www.uponor.ca